

# TerraPro Mix Tank

## Pre-engineered for Pharmaceutical Applications

### Pre-engineered TerraPro Mix Tank includes the following:

- ✓ TerraPro (USP Class VI polypropylene) self draining tank with handles
- ✓ Mobile carrier - sturdy and easy to move
- ✓ cGMP Cover with standard fittings
- ✓ Mix Volume of 350 L to 600 L
- ✓ Viscosity of 1-500 cps
- ✓ Liquid Specific Gravity: 1.2
- ✓ Vapor tight, animal free, USP VI Lip Seal on Mixer
- ✓ Pre-wired speed controller
- ✓ Document Package

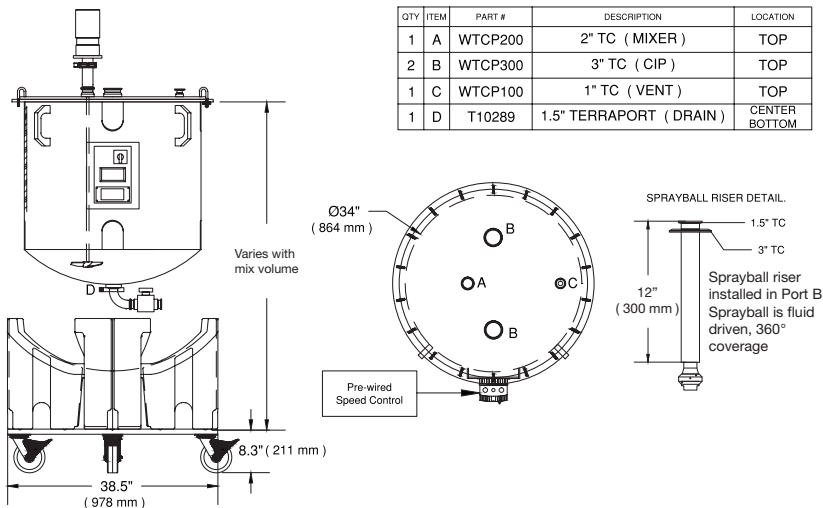
### Customizable options include:

- ✓ Total drain diaphragm valve
- ✓ Stainless steel tie-down solution, tank to carrier
- ✓ Fittings - sample ports, dip tubes, manways, tank outlets, baffles
- ✓ Stainless steel carrier
- ✓ Casters - options available
- ✓ CIP testing

### Benefits of the TerraPro Mix Tank:

- Production size capacity
- Designed for mixing needs for life sciences applications - cGMP
- Fittings meet aseptic transition requirements
- Handles and casters for ease of movement
- Short lead time - pre-engineered TerraPro Mixer shipped in 2-4 weeks!  
Customized solution will have longer ship time.
- Self draining
- Spray nozzle cleanable

### Specifications:



**TerraPro Mix Tank:  
Available in 2-4 weeks!**

### Pre-engineered:

- Mix Volume of 350 L to 600 L
- Viscosity of 1-500 cps
- Liquid Specific Gravity: 1.2
- USP VI for all wetted surfaces

**Other custom tank designs  
available for your application**

**Terracon Corporation**  
 1376 West Central Street, Suite 130  
 Franklin, MA 02038-7100  
 508.429.9950 tel  
 sales@terracon-solutions.com

www.terracon-solutions.com

