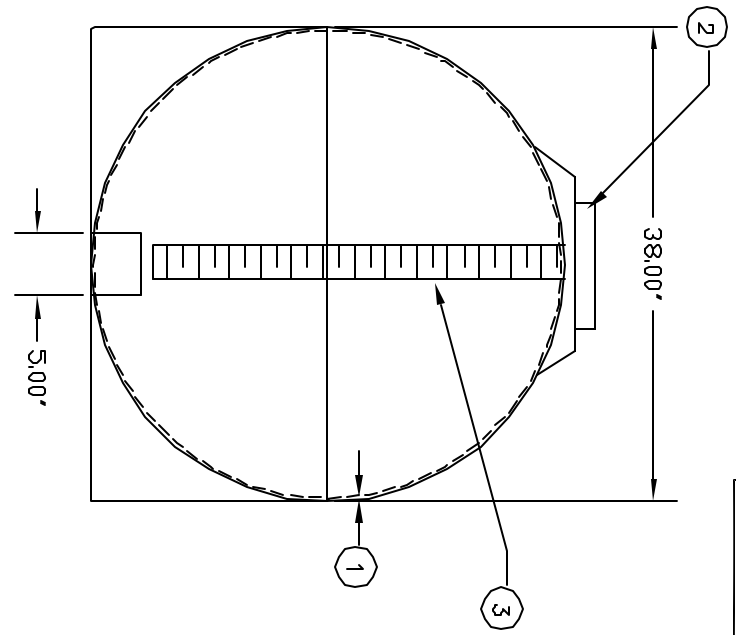
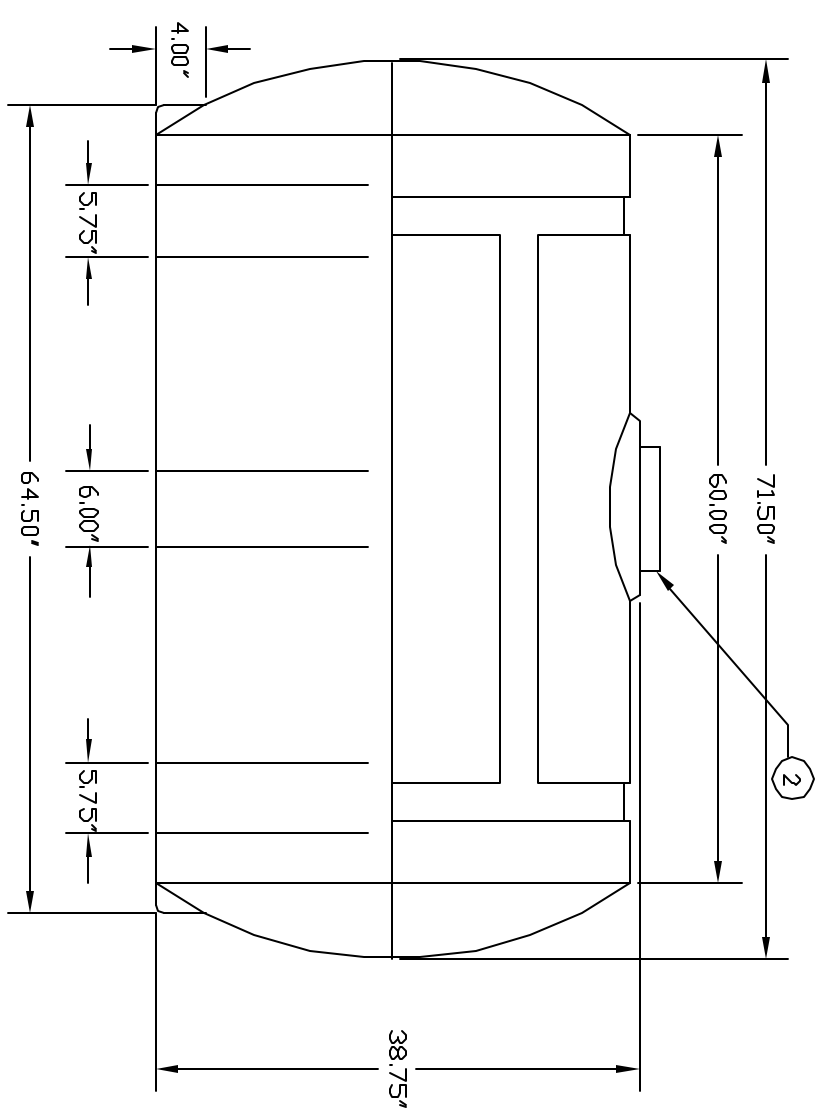



PART OR DWG. NO.
HLT0300
 REV.
A



NOTES

- ① 1/4" WALL HDPE ANTURAL TRANSLUCENT WHITE.
- ② 10" THREADED FILL NECK W/COVER.
- ③ MOLED IN CALIBRATION SCALE.

WK	SIZE	ATTN/RS	DESCRIPTION	ELEV.	DETS.

SCALE	1 : 10	TOLERANCE	
MATERIAL	SEE NOTES		
DRAWN	08	9	97
DWG. NO.			
YR. RELEASED			
SHEET NOS.			
 TERRACOIN CORPORATION 8 BOVINGTON ROAD HOPKINS BROOK PARK HOLLISTON, MA 01748 USA			
TITLE	HLT0300 300 GAL HORIZ. TANK		
PART OR DWG. NO.	HLT0300		
REV.	A		