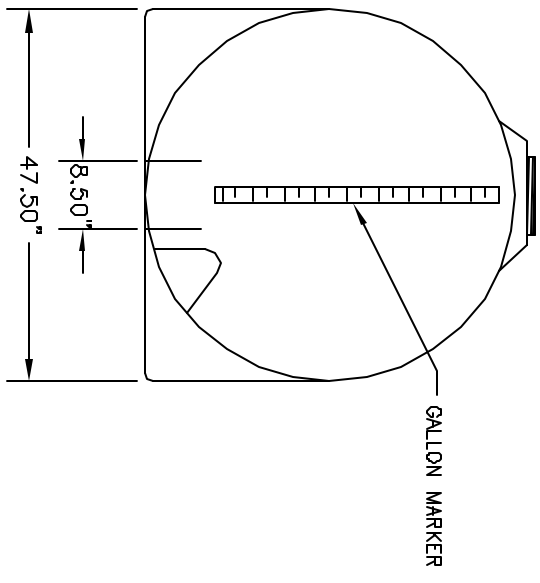
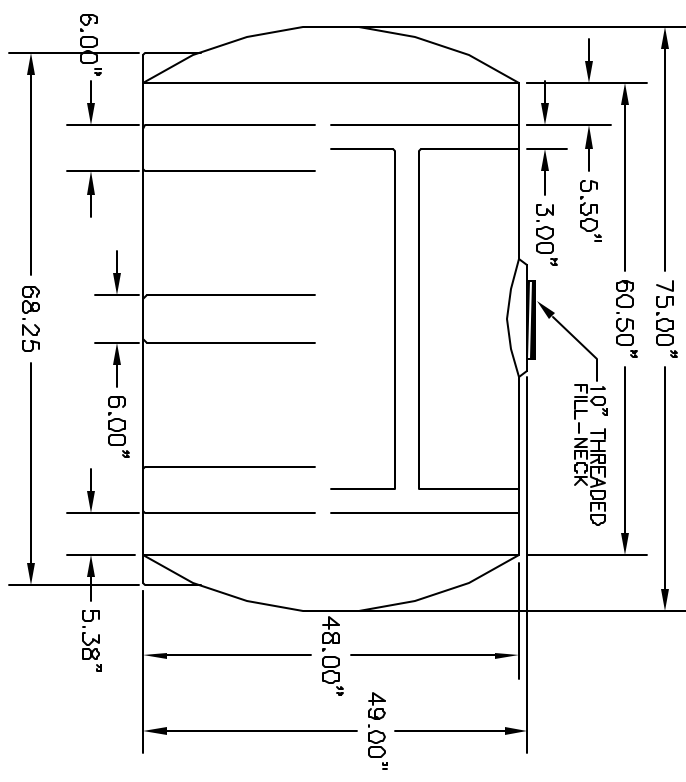



PART OR DWG. NO.
HLT0525

REV.
A



NOTES

NO.	SIZE	FITTINGS DESCRIPTION	ELEV.	DEP.

SCALE	1 : 16	TOLERANCE	
MATERIAL	HDPE		
DRAWN	CSS	DATE	1/19/94
BY		REV. RELEASED	
SHEET NOS.			
 TERRACOIN CORPORATION 8 BOYNTON ROAD HOPKINS BROOK PARK HOLLISTON, MA 01748 USA			
TITLE	HLT0525 525 GAL. "LEG." TK		
REV.	A	PART OR DWG. NO.	HLT0525