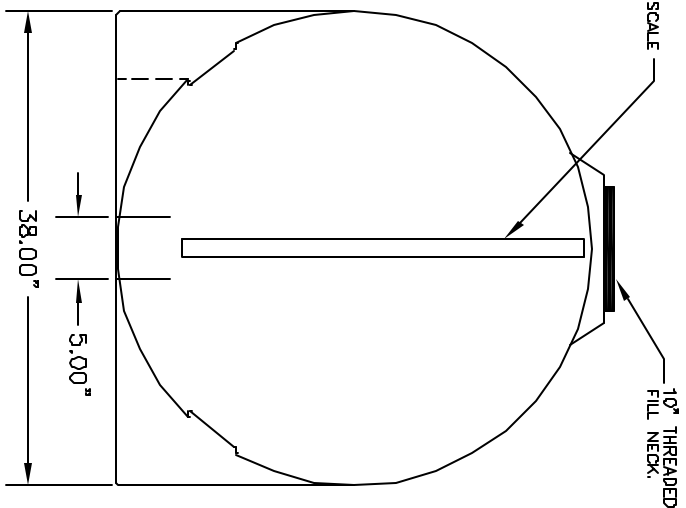
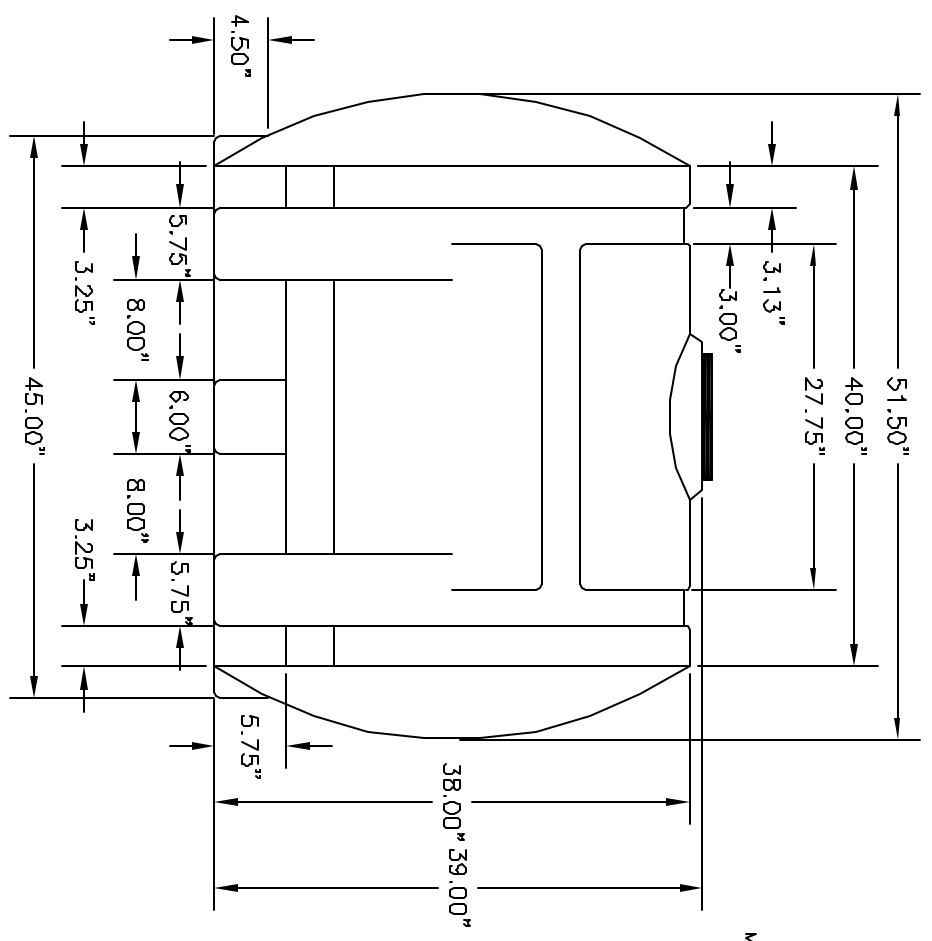


PART OR DWG. NO.  
**HLT0230**


REV.  
**A**



WK	SIZE	FITTINGS DESCRIPTION	ELEV.	DEP.

NOTES

SCALE	1 : 10	TOLERANCE	
MATERIAL	HOPE	REQUIR	
DRAWN	DW' 1/1/94	YR. RELEASED	
SHEET NOS.			


**TERRACOIN CORPORATION**  
 8 BOYNTON ROAD  
 HOPKINS BROOK PARK  
 HOLLISTON, MA 01748 USA

TITLE: HLT0230 230 GAL "LEG" TANK  
 PART OR DWG. NO. HLT0230  
 REV. >