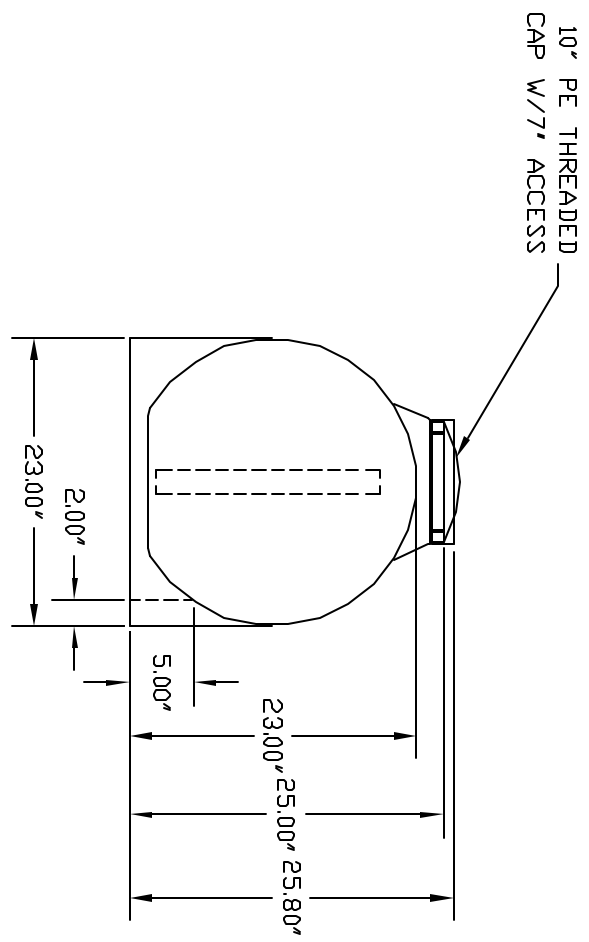
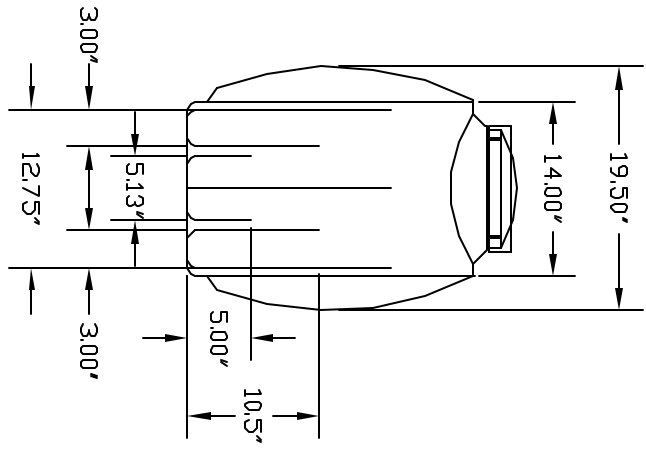



REV.
 HLT00030A
 PART OR DWG. NO.



① 1/4" WALL LINEAR POLY-ETHYLENE, NATURAL TRANSLUCENT WHITE.

NOTES

SCALE	1 : 10	TOLERANCE	REQUIR
MATERIAL	SEE NOTES		
DRAWN	051103	YR. RELEASED	SHEET NOS.
DWG. NO.	051103		
 TERRACOIN CORPORATION 8 BOVINGTON ROAD HEPPING BROOK PARK HOLLISTON, MA 01748 USA			
TITLE	HLT00030A 3D GAL. LFG. TANK		
REV.	HLT00030A		
PART OR DWG. NO.	HLT00030A		