

## CYLINDRICAL, OPEN-TOP, CONE-BOTTOM TANKS



Dual tank system ready for installation of proprietary controls and plumbing.

Terracon's complete inventory of top-quality rotomolded cylindrical tanks assures our ability to provide what you need, when you need it. A tank, molded in virgin linear polyethylene, is the ideal choice for storage, mixing, and/or feeding a vast array of liquids.

Cone bottom tanks offer many advantages for your ultra clean applications. Flushing, cleaning, and complete drainage are key requirements for most medical, research, or pharmaceutical installations. High viscosity solutions are also easier to handle in a cone bottom tank.

Whether you need a viewing window for a decantation process, a mixing nozzle for your bicarb mixing system, or a dozen sanitary fittings for your DI water loop, Terracon's COC series tanks are a great starting point.

### **Common Optional Accessories:**

- Chemical resistant fabricated polyethylene stands
- Stainless steel stands
- Painted steel stands
- Agitator mounts
- Bolt-on covers
- Fittings – what you need, where you need them



Bottom-Center fitting for complete drainage, full shelf under tank for pump mount.

## COC

### **Features**

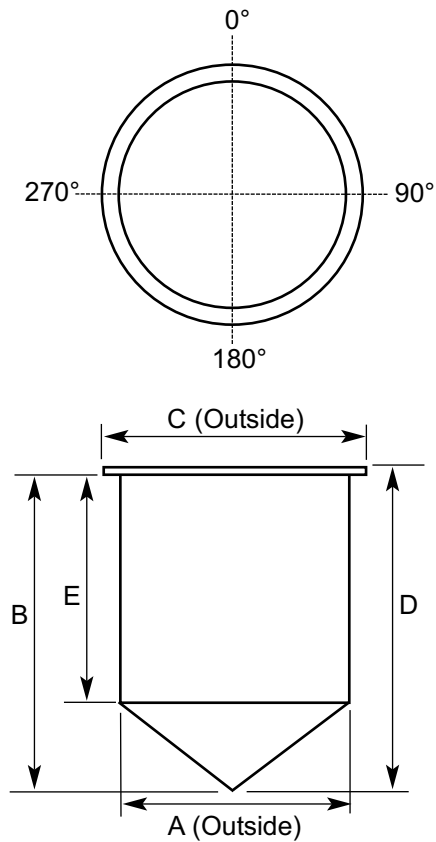
- Every size, every shape in stock
- Natural translucent resin permits visual determination of fluid level in the tank
- All tanks are rotomolded from virgin, FDA-approved linear polyethylene
- Tough, corrosion and impact resistant material

### **Applications**

- Dialysis Bicarb Systems
- Decantation of dissimilar liquids
- Mixing and dispensing
- Process
- High viscosity solution feeding
- Reverse Osmosis
- Pharmaceutical
- Blending



Complete inventory for optimum delivery of your specific requirements



**Specifying fittings and their locations:**

1. Identify the types and number of fittings required.
2. On an elevation sketch of the tank, similar to the one shown above, indicate the height (above the floor) at which each fitting should be located. Standard stands provide 18" clearance from floor to bottom of cone.
3. On a top view, indicate the angular location at which each fitting should be located. This is typically shown in terms of degrees of a circle, or clock-face designations ("3 O'clock" = 90°).
4. Refer to Terracon's fittings and accessories bulletin for the most commonly requested components.
5. Contact Terracon's application specialists for further assistance.

**Dimensions in inches**

Part Number	Diameter Range	Capacity (Gallons)	Capacity (Liters)	A	B	C	D	E
COC00005A	0-24	5	18	12	14	13	15	13
COC00015A	0-24	15	55	16	20	19	21	19
COC00030A	0-24	30	110	19	32	22	34	29
COC00045A	26-48	45	170	27	25	30	26	16
COC00060A	0-24	60	225	22	39	27	40	35
COC00115A	26-48	115	430	30	42	35	44	37
COC00200A	26-48	200	750	31	65	35	67	61
COC00250A	26-48	250	940	42	48	44	49	41
COC00300A	26-48	300	1130	43	45	47	47	39
COC00350A	26-48	350	1320	43	65	47	67	59
COC00500A	49-60	500	1890	52	66	56	68	56
COC00750A	49-60	750	2830	64	67	69	68	59
COC01000A	61-96	1000	3785	67	83	74	84	72
COC01000B	61-96	1000	3785	86	58	91	60	48
COC01500A	61-96	1500	5678	73	94	77	96	84

FDA approved linear polyethylene (FDA Reg. 21 CFR 177.1520 3.1), premium grade virgin resin, natural white (translucent) for best visibility of liquid level, UV stabilized. Dimensions provided here carry an overall tolerance of +/- 3% at room temperature. Temperature changes can magnify this tolerance in molded products. Specifications subject to change without notice.

