

# TerraSpray™ Rinse Station

## Cost-effective solution perfect for midsize facilities

- Handles all sizes and styles of carboys & vessels up to 50 gallons (200 liters)
- Avoid expensive automated solutions

## Increase productivity

- Eliminate manual efforts
- Efficient and easy rinse stations quickly get carboys ready for use

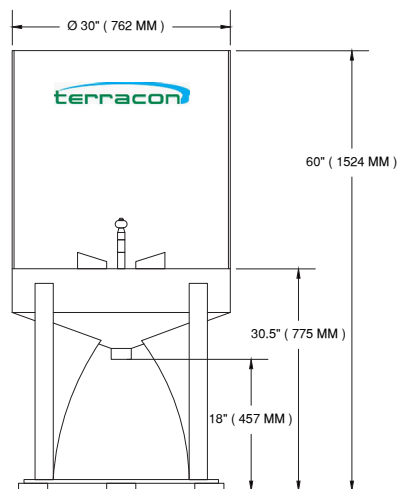
## Improve safety

- No more wet floors and slippery hazards
- Compact design keeps water contained without allowing water and residue to leak or splash

## Easy to use - portable and flexible

- Mobility kit available
- Ties in easily with existing water source
- Uses standard plumbing connections

## Standard TerraSpray™ Rinse Station:



- No electricity required
- Inlet:  $\frac{1}{2}''$  NPT female
- Drain:  $1 \frac{1}{2}''$  NPT female



**Compact rinse station for lab and process carboys and vessels.**

- **Save time**
- **Save water**
- **Save money**

**Terracon Corporation**  
 5 Boynton Road  
 Holliston, MA 01746  
 508 429 9950 tel  
 508 429 8737 fax  
[sales@terracon-solutions.com](mailto:sales@terracon-solutions.com)

[www.terracon-solutions.com](http://www.terracon-solutions.com)

Call or e-mail Terracon today for additional information.

